

Technical Data Sheet MOY TPR-L-6,3 Peel Rivet

Product Use:

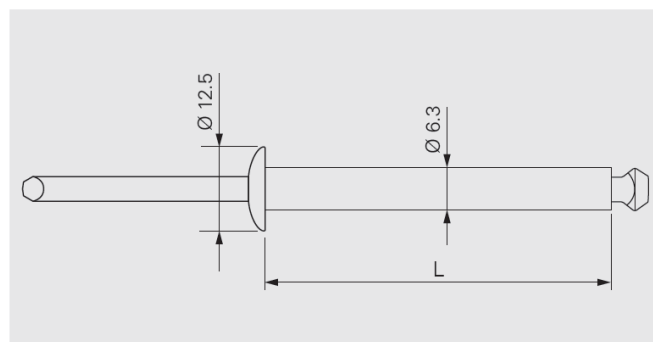
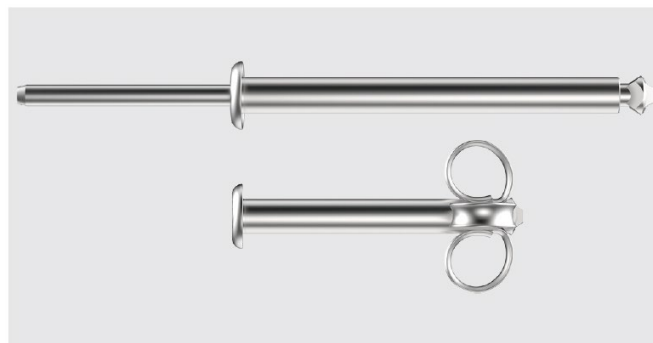
6,3mm diameter aluminium peel rivet for waterproof membrane and insulation securement on critical decks, where threaded fasteners cannot provide adequate pull-out strength*.

Description:

Material body: Aluminium/Magnesium alloy.
Mandrel: Carbon steel, galvanised.

Features and Benefits:

- High pull-out values in critical decks
- Suitable for multiple applications
- Removes the possibility of unwinding
- Fast and easy installation with IP50-B setting tool
- Environmentally friendly, free of Chromium VI



Certification:



Product Range:

Code	L _{mm}	CL min. mm	CL max. mm	Pack Quantity	Article Code
TPR-L-6,3×38	38	10*	13	1000	1241233
TPR-L-6,3×51	51	10*	26	1000	1326232
TPR-L-6,3×64	64	20*	39	500	1241237
TPR-L-6,3×76	76	20*	51	500	1241241
TPR-L-6,3×88	88	20*	63	500	1241242
TPR-L-6,3×102	102	20*	77	500	1241244
TPR-L-6,3×127	127	37	102	500	1241246
TPR-L-6,3×152	152	62	127	500	1241248
TPR-L-6,3×178	178	88	153	250	1241249
TPR-L-6,3×203	203	113	178	250	1241250
TPR-L-6,3×229	229	139	204	250	1241251
TPR-L-6,3×254	254	164	229	250	1241252

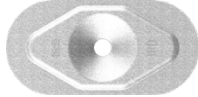
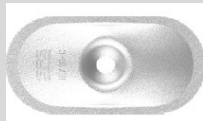

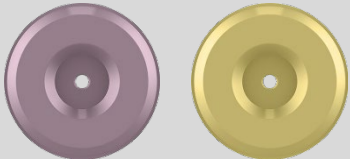
Packaging type: cardboard box

*Min. required Clamping length CL due to the mandrel which remains in the Peel Rivet



Technical Data Sheet MOY TPR-L-6,3 Peel Rivet

Products to combine with:

Product Code	Description	
IRD-82×40	Stress plate for waterproof membrane securement. For seam fastening application.	
IF/IG-C-82×40	Convex stress plate for waterproof membrane securement. For seam fastening application, on hard substrate.	
ID-70×70	Stress plate for insulation securement.	
FI-P-6,8	Stress plates for PVC and TPO based waterproof membranes. For isoweld® field fastening application.	

Installation:

In order to ensure the correct application of the tube & fastener combination into the substrate and to avoid overdriving and/or damage, all sleeves and fasteners must be installed using only the recommended tooling.

*Application:

Substrate material thickness:	Steel deck min. 0.5 mm Aluminium deck min. 0.6 mm
Pre-drill diameter:	7.0 mm
Peel Rivet length L:	Clamping length CL + min. 25 mm

