

## Technical Data Sheet MOY IRC/W-82x40 Plate

### Product Use:

Stress plate for waterproof membrane securement in combination with the appropriate fasteners for the deck type. For seam fastening applications\*.

### Description:

Carbon steel, zinc plated. Durocoat® Corrosion protection. Resistance 15 cycles Kesternich test according to:

- EAD 030351-00-0402, A2.4
- FM Approval Standard 4470

### Certification:







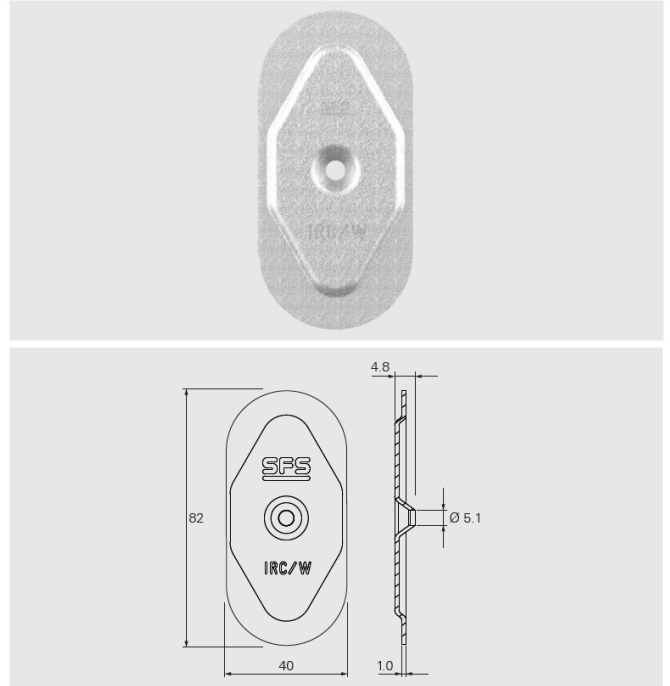
### Product Range:

Code	Pack Quantity	Article Code
IRC/W-82x40	100	479940

Packaging type: cardboard box

### Products to combine with:

Product Code	Description	
IWF-5,2	Carbon steel fastener for timber and timber-based boards.	
IW-S-5,0	Stainless steel fastener for timber and timber-based boards.	
BS-4,8	Carbon steel fastener for steel deck and timber and timber-based boards.	
BS-S-4,8	Stainless steel fastener for steel deck and timber and timber-based boards.	



### Installation:

In order to ensure the correct application of the fastener/plate combination into the substrate and to avoid overdriving and/or damage, all plates and fasteners must be installed using only the recommended tooling, including screw guns (with torque setting), drive bars and correct bits etc.

It is recommended that pull-out testing is undertaken by SFS for all refurbishment projects and any concrete deck. This will ensure the suitability of the fastener and additionally will determine the optimum drill diameter and embedment required.

### \* Seam fastening application:

