

## Technical Data Sheet MOY IF/IG-C-82x40 Plate

### Product Use:

Convex stress plate for waterproof membrane securement in combination with the appropriate fasteners for the deck type. For seam fastening applications\*.

### Description:

Carbon steel, zinc plated. Resistance 15 cycles Kesternich test according to:

- EAD 030351-00-0402, A2.4
- FM Approval Standard 4470

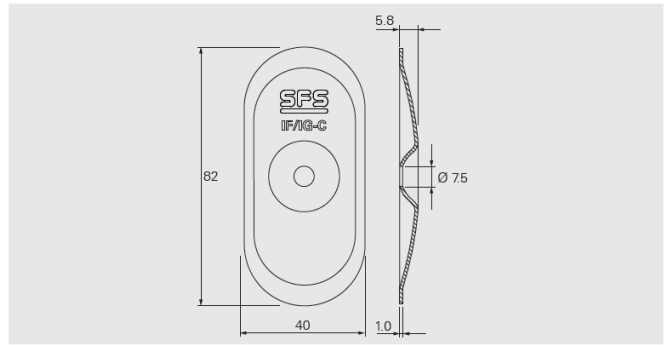
### Certification:






### Product Range:

Code	Pack Quantity	Article Code
IF/IG-C-82x40	100	1333674

Packaging type: cardboard box



### Products to combine with:

Product Code	Description	
TI-T25-6,3	Carbon steel fastener for concrete deck.	
TI-S-Z10-6,3 / TI-S-T25-6,3	Stainless steel fasteners for concrete deck	
TPR-L-6,3	Peel Rivet for critical decks.	

### Installation:

In order to ensure the correct application of the fastener/plate combination into the substrate and to avoid overdriving and/or damage, all plates and fasteners must be installed using only the recommended tooling, including screw guns (with torque setting), drive bars and correct bits etc.

It is recommended that pull-out testing is undertaken by SFS for all refurbishment projects and all concrete decks. This will ensure the suitability of the fastener and additionally will determine the optimum drill diameter and embedment required.

