

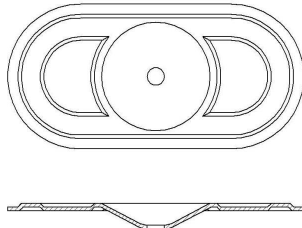
Technical Data Sheet OMG Membrane Plates

Product Use:

A selection of pressure plates for use in combination with the appropriate OMG screw fasteners by MOY, used for securing waterproofing membrane to a range of decks.

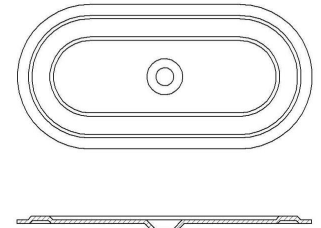
22-DR8040 Description:

- 80mm x 40mm Plate.
- 1.0mm Thickness.
- Steel.
- Aluzinc®.
- Dished.



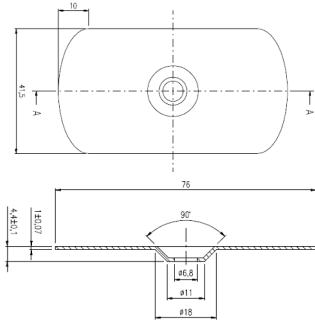
22-FR8040 Description:

- 80mm x 40mm Plate.
- 1.0mm Thickness.
- Steel.
- Aluzinc®.
- Flat.



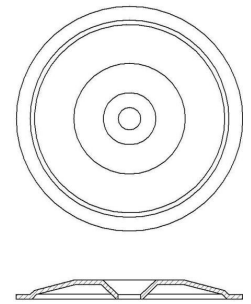
22-SPL8040 Description:

- 80mm x 40mm Plate.
- 1.0mm Thickness.
- Steel.
- Galvalume®.
- Flat.



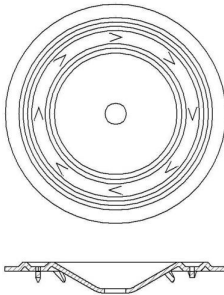
22-SP50-F4E Description:

- 50mm Round Plate.
- 1.0mm Thickness.
- Steel.
- DX-51.
- Flat.



22-SP50B* Description:

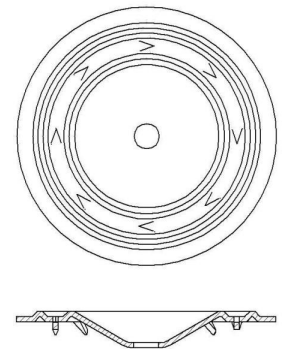
- 50mm Round Plate.
- 1.0mm Thickness.
- Barbed Steel.
- Galvalume®.
- Flat.



* Factory Mutual Approval

22-SP60B* Description:

- 60mm Round Plate.
- 1.0mm Thickness.
- Barbed Steel.
- Galvalume®.
- Flat.



* Factory Mutual Approval

